

# Quick Lock Mount





# About

The Swytch GO Quick Lock Mount enables you to lock your Swytch GO Kit on your bikes frame.

## Standard Harness Length Mounting Options:



## Extended Harness Length Mounting Options:



**Included in this box:**

Part Name	Quantity
Quick Lock Mount	1
M5 x 2 Cap Head Screw	2
M5 Washer	2
Hose Clamps	2
Lock Key	2

**You will need:**

- Flat Head Screw Driver
- Scissors
- 3mm Allen Key

**Note**

Please be aware that the Quick Lock Mount is not compatible with bikes made from carbon. It is also not suitable for frames with limited space inside as shown below.



[Click here for a print out measuring guide.](#)

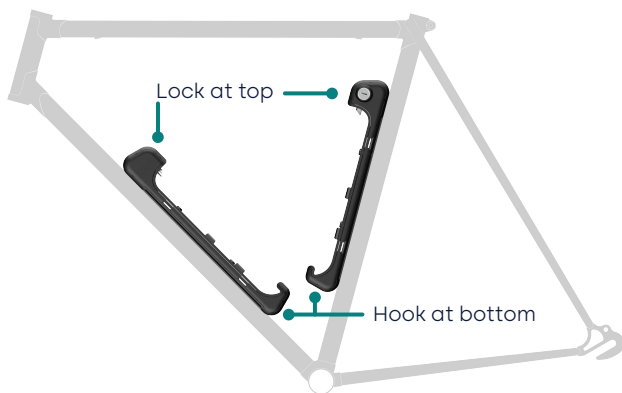


## Placement Guidance

If you intend on mounting your Quick Lock Mount on a diagonal or vertical tube, always ensure that the 'lock end' is raised higher than the 'hook end' as shown below.



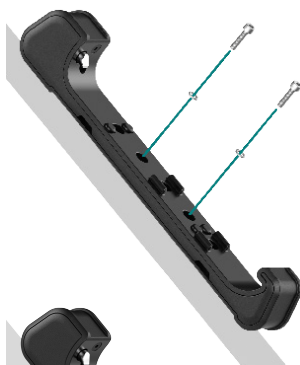
Do not fit the Quick Lock Mount so that the Power Pack is mounted upside down.



There are two methods of installation:

### Screw Installation - Page 6

Uses your bike's existing frame holes as mounting points for the Quick Lock Mount. Provides a much sturdier and safer locking method as no screws are visible when the bike is locked up and the Power Pack is left.



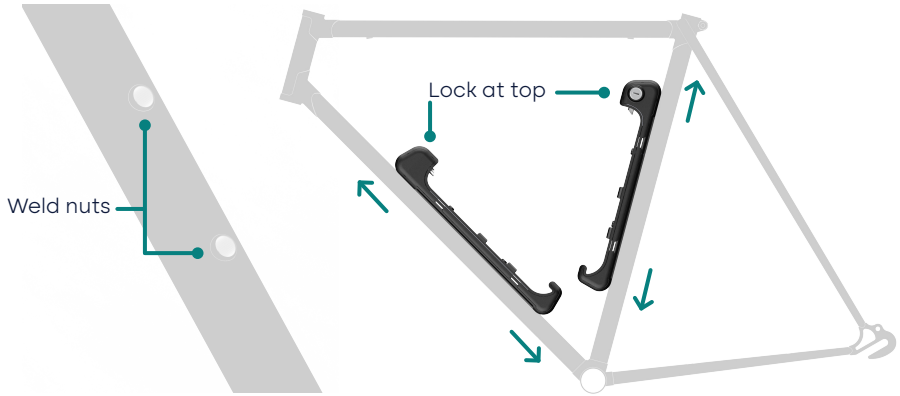
### Hose Clamp Installation - Page 8

You can use the hose clamp installation method if your bike does not have any frame holes, or you want to position your Quick Lock Mount in an unusual position.



# Screw Installation

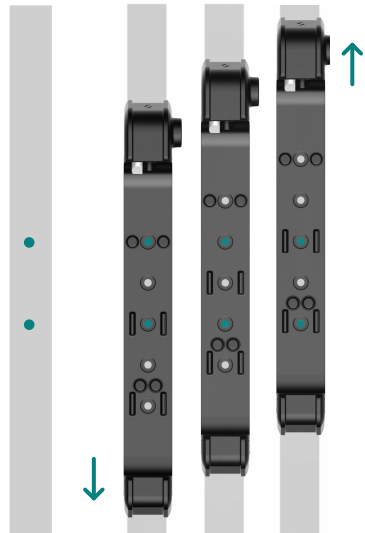
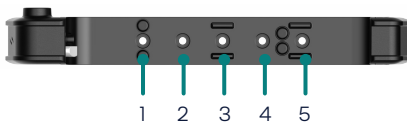
1. Align two of the Quick Lock Mount holes with the weld nuts that are on your bike's frame. Ensure that the Quick Lock Mount is always mounted in the shown orientations with the lock at the top.



Ensure that the lock is always positioned at the highest end.

## Note:

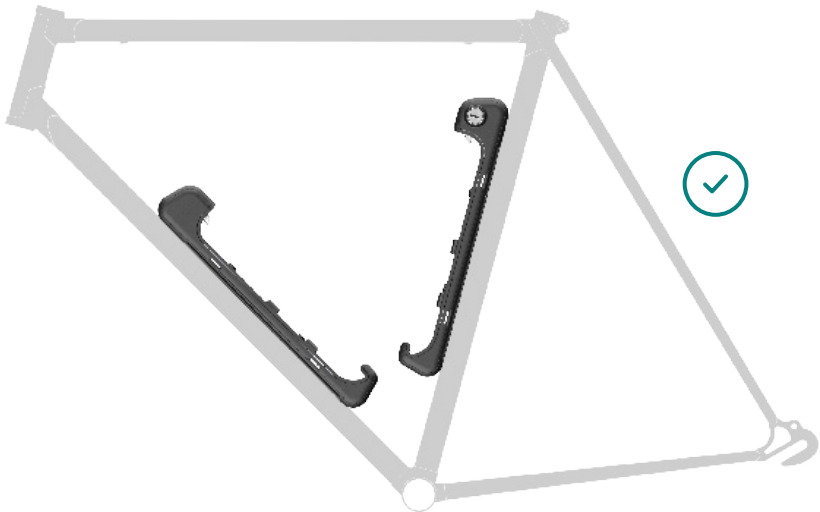
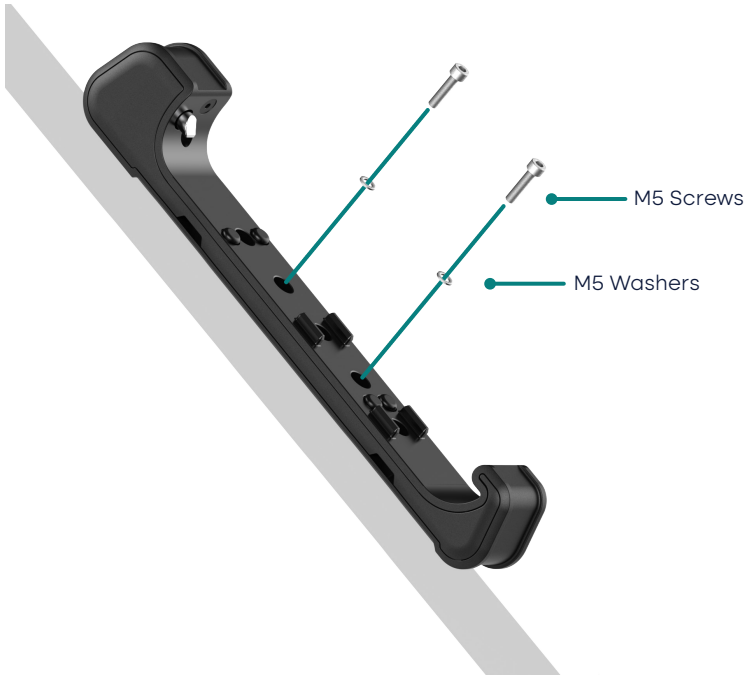
The Quick Lock Mount features five holes in its main body, enabling you to adjust the position up or down the frame to suit your needs.



2. Assemble the two M5 washers and two M5 screws into the two holes and tighten using a 3mm Allen Key to 3 Nm of torque.

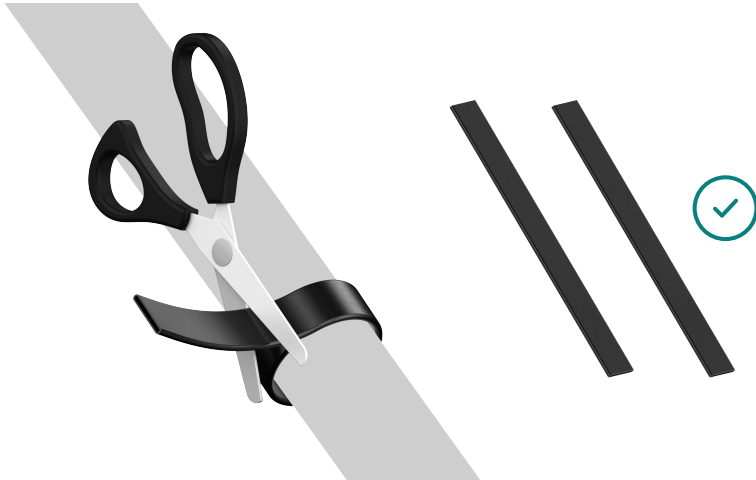


Ensure 3 Nm of torque is used.  
Visit [swytchbike.com/manual/3nm/](http://swytchbike.com/manual/3nm/) for support.

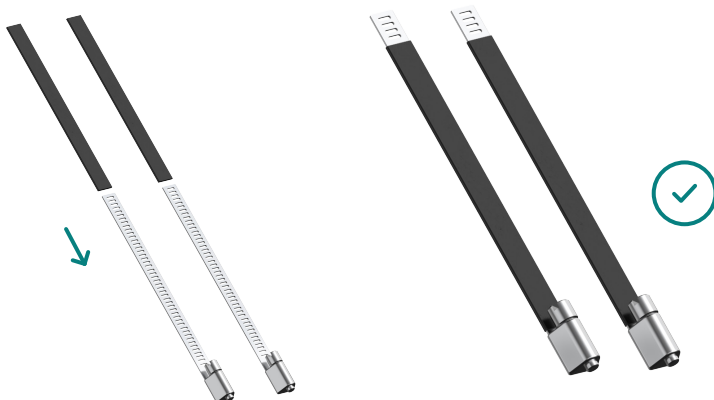


# Hose Clamp Installation


1. Wrap the shrink tubing round the circumference of your bike frame where you wish to position your Quick Lock Mount. Cut two pieces of tubing using scissors to this length.

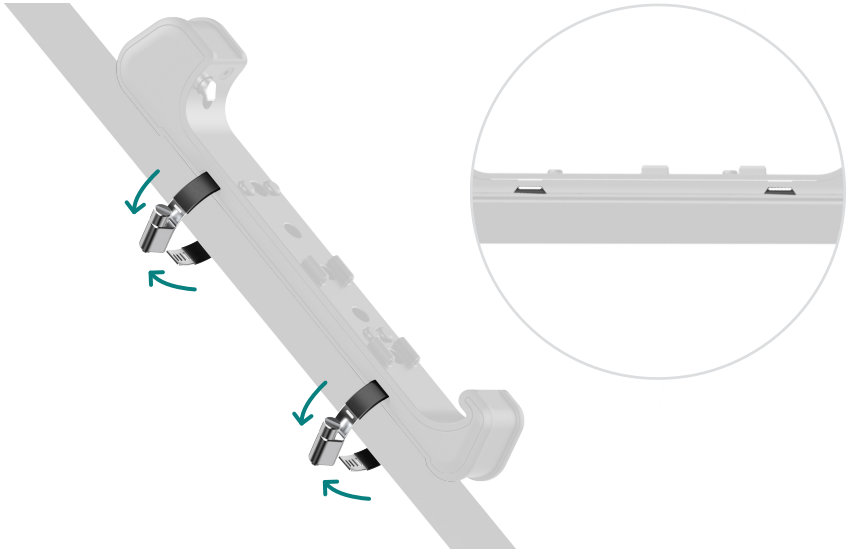


2. Feed the tubing on to the hose clamp. This will help reduce scratching on your bike frame and improve the look of the hose clamps when installed correctly.



3. Place the Quick Lock Mount on your frame and feed the two hose clamps through the two gaps in the main body. Then insert the tail end into the opening in the clamp.

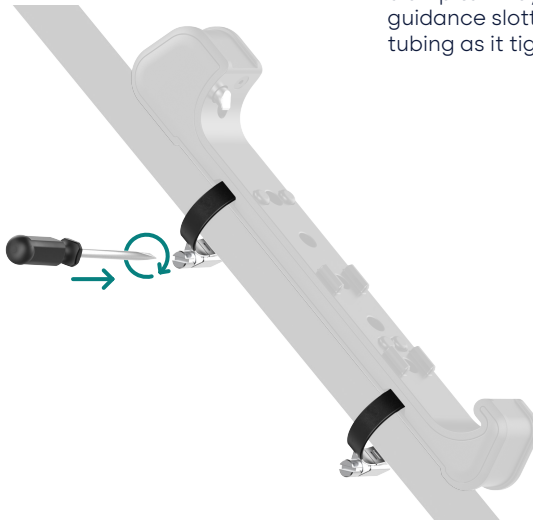
 Do not fit the Quick Lock Mount so that the Power Pack is mounted upside down.



4. Using a flat head screw driver, slowly tighten the screw until there is no movement of the Power Pack on the frame.

**Note:**

Hold the tubing so it does not bunch up when tightening. The clamp tail may need some guidance slotting itself into the tubing as it tightens.

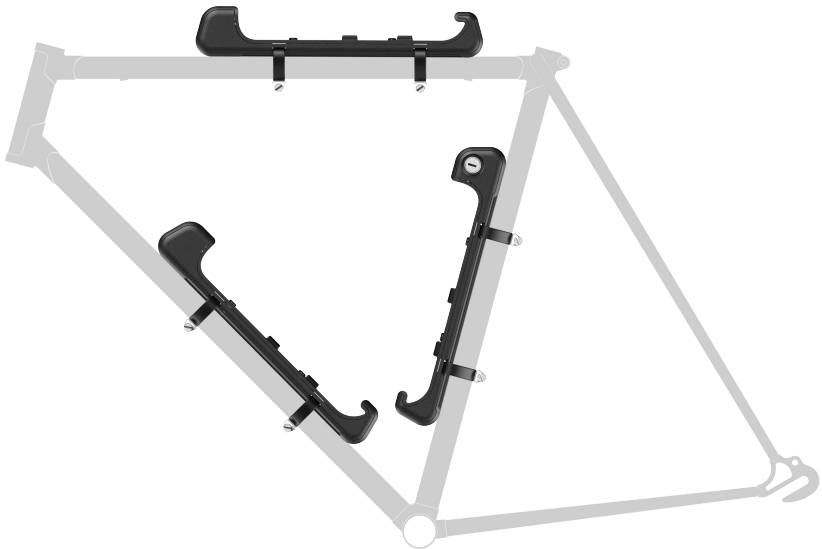




⚠ Ensure your brakes function properly if you tightened the hose clamps over any cabling.

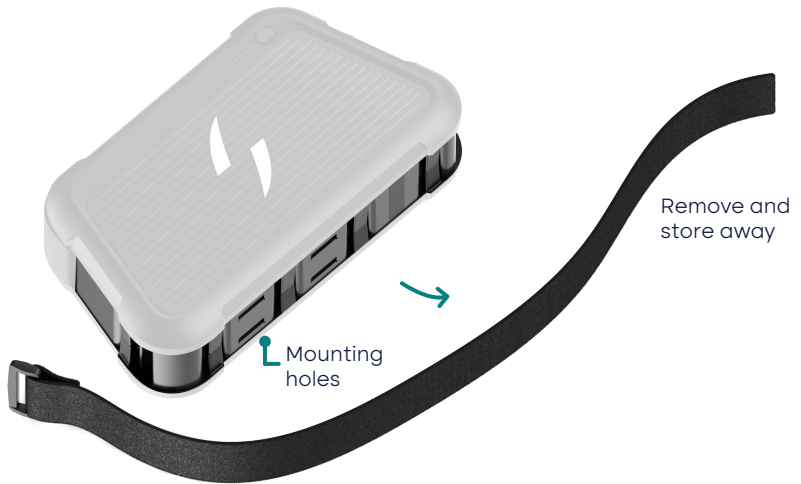
⚠ Do not trim the clamp's tail as this will leave sharp corners.

⚠ The hose clamp installation is not suitable for carbon fiber frames.



# Prepare Your Power Pack

1. Remove the underside strap from your GO Power Pack, so the mounting gaps are accessible.

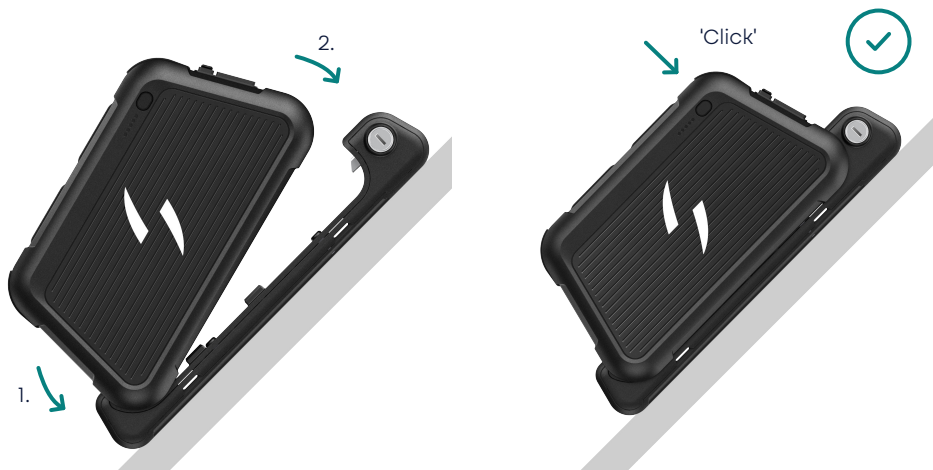


2. Affix the top strap by securing it back through the prong on the Power Pack's main body.



# Power Pack Insertion

1. Lower the GO Power Pack into the mount, first aligning the hook feature with the recess in Power Pack's corner.
2. Once slotted in, push down on the Power Pack until you hear/feel a click. This occurs when the lock engages.



## Note:

To unlock, simply insert and twist your key clockwise 90 degrees. Whilst still twisted, remove the Power Pack by hand.



Don't leave your Power Pack unattended, as thieves may still find a way to remove it.





Swytch Technology Ltd,  
Unit 2A  
455 Wick Lane  
London  
E3 2TB

Scan here for the  
Swytch Help Centre.

